

## CIRRUS 60SA SPECTROPHOTOMETER

### Main Specifications



Scanning VIS with two independent channels of measurements, one for 10 to 50 mm cells, and another for 100 mm cells.

Wavelength range: 325 to 1100 nm

Spectral bandwidth: 3 nm

Detectors: 2 silicon photodiodes

Graphic display: 128 x 64 pixels, with backlight

Printer: graphic, thermal, 203 dpi, 58 mm (paper width)

Monochromator: Wadsworth; diffraction grating: 1200 lines/mm

5 Optical filters with automatic change

Wavelength increments in 0,1 nm

Stray light: 0,1%T at 220 and 340 nm

Wavelength accuracy: +/- 2 nm from 401 to 1100 nm

Scanning speed: 325 nm/min (increments: 5 in 5 nm)

Photometric range: Absorbance: -0,3 to 3,0 Abs

Transmittance: 0 to 200% T

Photometric accuracy: 0,003 Abs from 0,0 to 0,3 Abs

Photometric noise: 0,001 Abs at 0,0 Abs

Drift: 0,003 Abs/hour

Keyboard: 30 alphanumeric keys and more 4 function keys

Lamp: tungsten-halogen 2000 hours

Interface: Serial RS 232C

Power requirements: 90 to 240 V; 120 VA

Dimensions: 35 W x 44 D x 20 H (cm)

Net Weight: 9 Kg

Total Weight: 13 Kg

Manual and display: Portuguese, Spanish and English

- Software: FEMWL 60SA-R1
- Graph of Absorbance x Wavelength
- Graph of Linear regression
- Can store up to 205 methods (5 defined methods and new 200 methods can be created)
- Determination of ICUMSA Sugar color
- Upload the last 500 results via serial interface to PC (Microsoft-HyperTerminal - Windows XP)
- Program for sugar color, MOPS method, updated as ICUMSA 2005

#### Standard Accessories

10 Thermal paper rolls for printer

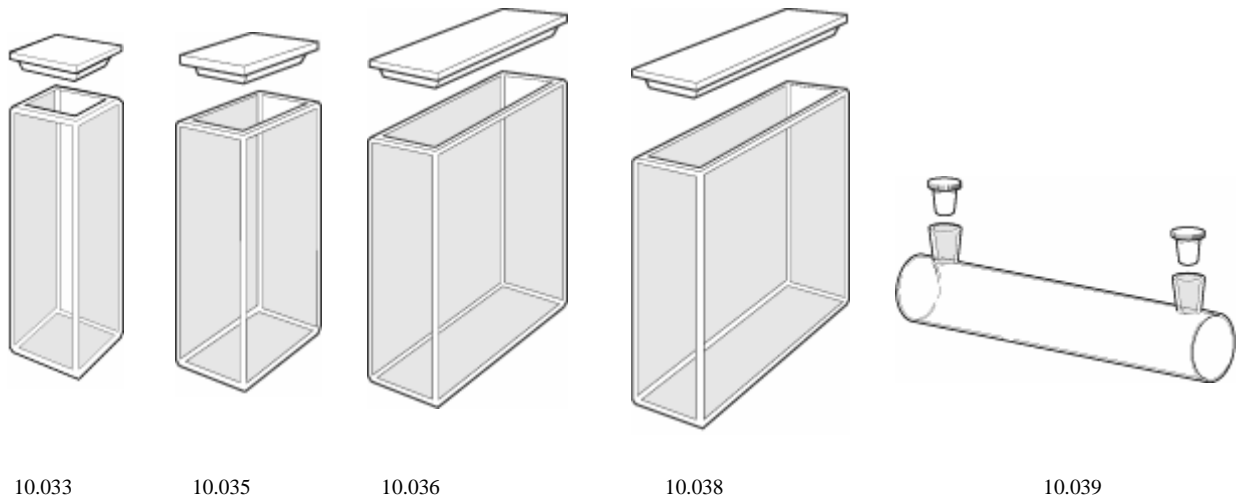
1 Dust Cover

1 Main power cable

1 CD - Installation and Operation Manual

## Optional Accessories or Spare Parts

Description	Code
Kit of 10 thermal paper rolls for printer	50.009
W lamp in holder, pre-calibrated	50.001
Optical glass square cell 10 mm path length	10.033
Optical glass rectangular cell 20 mm path length	10.035
Optical glass rectangular cell 40 mm path length	10.036
Optical glass rectangular cell 50 mm path length	10.038
Optical glass cylindrical cell 100 mm path length	10.039
Serial converter cable / USB	00.971



10.033

10.035

10.036

10.038

10.039

Subject to change without notice  
 Illustrations do not represent the actual size